



Antari ICE

ORDERCODE 60620



SHOWELECTRONICS FOR PROFESSIONALS

Congratulations!

You have bought a great, innovative product from Antari.
The Antari Ice fogger brings excitement to any venue.
You now own a rugged and powerful state-of-the-art machine.

You can rely on Antari, for more excellent products.
We design and manufacture professional equipment for the entertainment industry.
New products are being launched regularly. We work hard to keep you, our customer, satisfied.

You can get some of the best quality, best priced products on the market from Antari.
So next time, turn to Antari for more great equipment.
Always get the best -- with Antari !

Thank you!



Antari

Antari Ice Fogger™ Product Guide

| | |
|-------------------------------------|----|
| Warning | 2 |
| Safety-instructions..... | 2 |
| Operating Determinations..... | 3 |
| Description | 4 |
| Features..... | 4 |
| Overview..... | 4 |
| Installation | 6 |
| Installing the fogger..... | 6 |
| Set Up and Operation | 6 |
| Procedure..... | 6 |
| Remote control operation..... | 7 |
| DMX Setting | 8 |
| Maintenance | 9 |
| Performance notes..... | 9 |
| Troubleshooting | 9 |
| Product Specifications | 10 |

WARNING



**FOR YOUR OWN SAFETY, PLEASE READ THIS USER MANUAL CAREFULLY
BEFORE YOUR INITIAL START-UP!**

SAFETY INSTRUCTIONS

Every person involved with the installation, operation and maintenance of this device have to:

- be qualified
- follow the instructions of this manual



Before your initial start-up, please make sure that there is no damage caused by transportation. Should there be any, consult your dealer and do not use the device.

To maintain perfect condition and to ensure a safe operation, it is absolutely necessary for the user to follow the safety instructions and warning notes written in this manual.

Please consider that damages caused by manual modifications to the device are not subject to warranty.

This device contains no user-serviceable parts. Refer servicing to qualified technicians only.

IMPORTANT:

The manufacturer will not accept liability for any resulting damages caused by the non-observance of this manual or any unauthorized modification to the device.

- Never let the power-cord come into contact with other cables! Handle the power-cord and all connections with the mains with particular caution!
- Never remove warning or informative labels from the unit.
- Never aim the output nozzle directly at people.
- Never aim the output nozzle at open flames.
- Never add flammable liquids of any kind (oil, gas, perfume) to the fog liquid.
- Never drink fog liquid. If it is ingested, call a doctor immediately. If fog liquid comes in contact with skin or eyes, rinse thoroughly with water.
- Never lock smoke-filled rooms. Risk : panic among the locked persons!
- Never smoke permanently! The smoke must only be used for a short period.
- Do not insert objects into air vents.
- Do not connect this device to a dimmerpack.
- Do not switch the device on and off in short intervals, as this would reduce the device's life.
- Do not touch the fogger output barehanded during its operation.
- Only use device indoor, avoid contact with water or other liquids.
- Only use smoke in well-ventilated rooms.

- Only use the high-quality, water-based fog liquid, that your Antari dealer recommends.(5L fogger fluid ordercode 60603) Other fog liquids may cause poor effect fog, clogging and “spitting” of unevaporated liquid.
- Avoid flames and do not put close to flammable liquids or gases.
- Always make sure there is sufficient liquid in the fog liquid tank. Operating this unit without liquid will cause damage to the pump and the heater.
- Always allow free air space of at least 20 cm around the sides and top of the unit.
- Always drain tank before shipping or otherwise transporting this unit.
- Always keep tank cap closed while operating.
- Always keep the ice machine upright.
- For adult use only. Ice machine must be installed out of the reach of children. Never leave the unit running unattended.
- Always keep the nozzle at least 50 cm away from contact with anything, while in operation.
- Always disconnect power from the mains, when device is not used or before cleaning! Only handle the power-cord by the plug. Never pull out the plug by tugging the power-cord.
- Make sure that the available voltage is not higher than stated on the rear panel.
- Make sure that the power-cord is never crimped or damaged. Check the device and the power-cord from time to time.
- If device is dropped or struck, disconnect mains power supply immediately. Have a qualified engineer inspect for safety before operating.
- If the device has been exposed to drastic temperature fluctuation (e.g. after transportation), do not switch it on immediately. The arising condensation water might damage your device. Leave the device switched off until it has reached room temperature.
- If your Antari Ice Machine fails to work properly, discontinue use immediately. Drain all fog liquid from the tank, pack the unit securely (preferably in the original packing material), and return it to your Antari dealer for service.
- Allow time to cool down, before cleaning or servicing.
- The residence time of persons in smoke-filled rooms with less than 15 m of sight must never exceed 5 minutes.
- The fog vapour at point of release is under pressure.
- Keep flammable materials at least 50 cm away from the nozzle.
- The use of fog-fluid is only allowed for adults.
- Repairs, servicing and electric connection must be carried out by a qualified technician.
- In dense, smoke-saturated surroundings, the oxygen portion is substantially reduced!
- The smoke density must be portioned in a way that the sight will always be above 5 m. Danger of anxiety state due to missing orientation!
- Every smoke-filled room must be overseen by a skilled person.
- WARRANTY: Till one year after date of purchase.

Operating instructions:

This device is not designed for permanent operation. Consistent operation breaks will ensure that the device will serve you for a long time without defects.

If this device is operated in any other way, than the one described in this manual, the product may suffer damages and the warranty becomes void.

Any other operation may lead to dangers like short-circuit, burns, electric shock, explosion, crash etc. You endanger your own safety and the safety of others!

Improper installation can cause serious damage to people and property !

Description of the device

Features

The Ice fogger is a versatile and powerful fogger from Antari.

- 1040 W Heater
- warm-up time approx. 4 min.
- Fog output min. 230m³

Overview



Fig. 1

- 1) 2,5 L Liquid tank
- 2) Remote control type Z-8
- 3) Output

- 4) Screw for opening 8 kg ice cube tank
- 5) Output
- 6) Drainage outtake

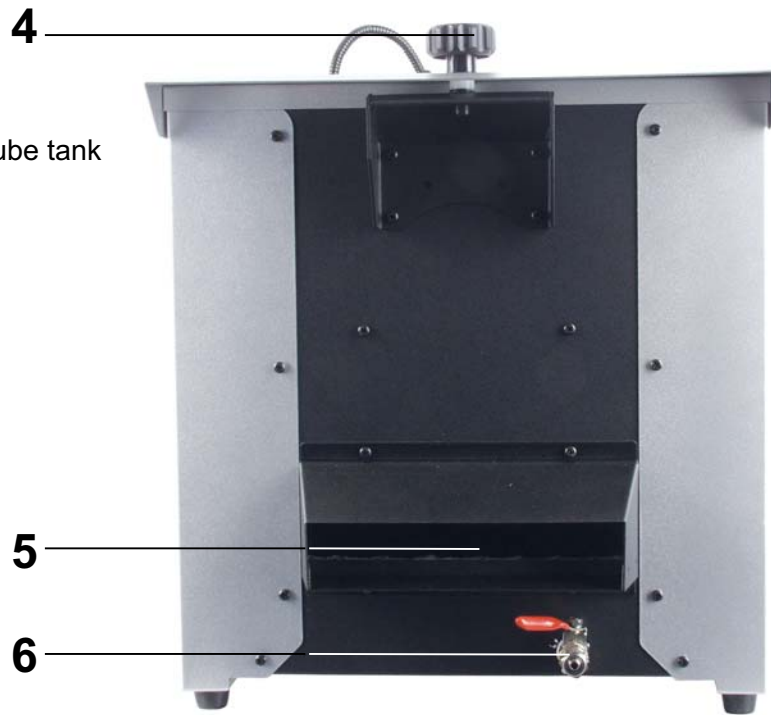


Fig. 2

- 7) Fluid tank 2,5 L
- 8) Water pump ON / OFF
- 9) ON / OFF
- 10) IEC Power Connector
- 11) DMX input
- 12) DMX Dip Switches
- 13) DMX output
- 14) Remote Control
- 15) For linking 2nd unit
- 16) Water out



Fig. 3

Installation

Installing the Fogger

1. Remove all packing materials from the fog machine. Check that all foam and plastic padding is removed, especially in the output area.
2. Place Low Fog Machine on a flat surface and remove fog liquid tank cap.
3. Fill the chamber with regular ice cubes or dry ice.
The chamber can hold as much as 8 kg ice cubes (fig 4).
4. Fill with ANTARI Low Fog Liquid (ordercode 60603) or other high-quality water-based fog fluid. Any other types of fluid can damage the unit. When filled, place cap back on liquid tank.
5. When the chamber is filled, gently put the cover back. Tighten the cover with appropriate force only.
6. Firmly attach the remote control cable to the proper input on the rear of the machine.
7. Firmly attach the included tube to the drainage outtake, place the end of the tube to a container (fig 5).

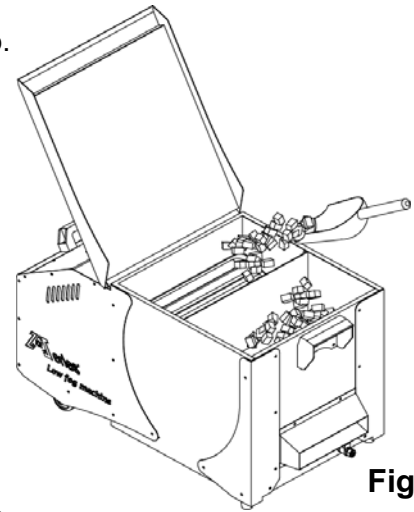


Fig. 4

The unit can only be operated at floor level or sitting on any regular surface.

It is important that the fog does not shoot directly at any one's face. Therefore, do not point the output in a direction that will aim directly at a person.

Whatever installation method you choose, do not allow the unit to have more than a 15 degree angle of inclination.

Always disconnect from electric mains power supply before cleaning or servicing.

Damages caused by non-observance are not subject to warranty.

Set Up and Operation

Before plugging the unit in, always make sure that the power supply matches the product specification voltage. Do not attempt to operate a 120V specification product on 230V power, or vice versa.

Procedure :

1. Plug power cord into a grounded electrical outlet.
If necessary, turn power switch on rear of unit to "ON" position.
Warm-up is complete when green lamp lights up on remote unit.
2. To emit fog, press the button on the remote and hold for the desired length of time.
3. The remote unit's lamp will cycle on and off as the machine re-heats to the proper operating temperature.
4. For further information on operating your Antari Fog Machine, see Remote Control Operation.

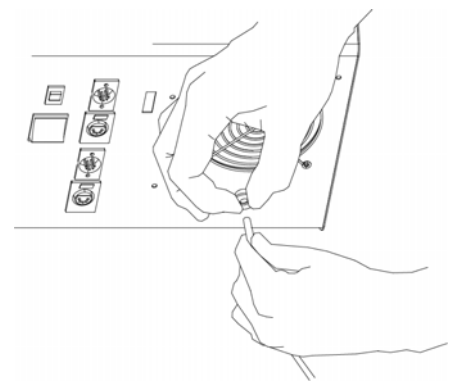


Fig. 5

Remote Control Operation

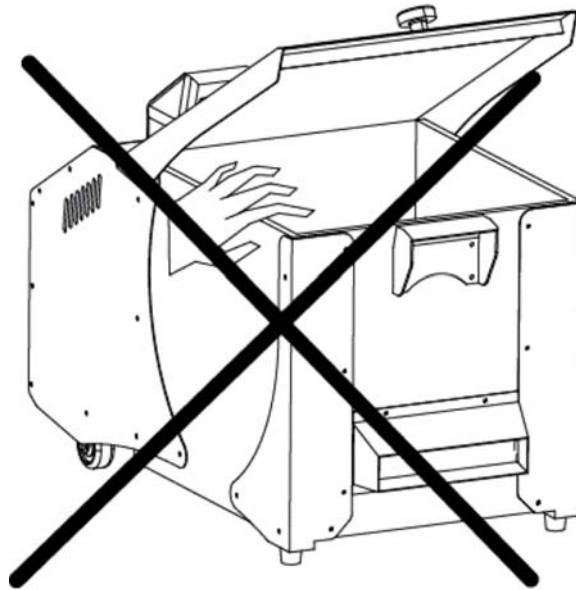
Z-8 : 10 meter wired remote controller can operate the ICE machine. Its three knobs allow the operator to customize fog machine functions by adjusting output duration, interval and output volume.

1. Adjust the duration of each fog emission (within the range of 1 to 15 seconds) by means of the DURATION control knob.
2. Adjust the interval between each fog emission (within the range of 10-255 seconds) by means of the INTERVAL control knob.
3. The volume of fog produced is regulated via the OUTPUT knob. This varies between 0 and 100% of maximum volume output.
4. Press the yellow TIMER button to activate the timer function.
5. Press the red CONTINUOUS button for continuous output.
6. When pressed, the green MANUAL button overrides all other function controls, and activates maximum output.



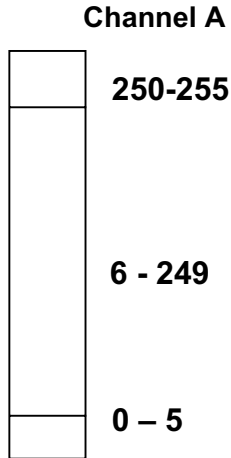
Fig. 4

Optional Remotecontrol : Z-9: Wireless remote controller



Be careful when opening and closing the cover!

DMX Setting for Z-series Low Fog Machines with onboard DMX



0 - 5 = OFF

6 - 249 = Volume Control (5% - 95%)

250 - 255 = Maximum Volume Output (100%)

The ICE Low Fog Machines has onboard DMX control. Currently it uses one channel to control volume output operation. Each channel has a value range of 0 to 255. Timer functions such as duration and interval can be programmed using the DMX controller or the DMX control software being used by lighting and effects operator.

If Channel A has a value from 0 to 5, the unit is OFF.

Between the values 6 to 249 the volume of fog output is regulated. With 6 being the minimum volume of fog produced and 249 approaching the maximum. The volume output rises as the DMX value is increased.

If Channel A has a value from 250 TO 255, the machine will operate at maximum output.

Note: In the example above, if the machine were assigned the DMX address of 124, Channel A would correspond to DMX address 124.

In general, Antari fog machines with onboard DMX conform to the following performance specifications:

1. Average Operating temperature = 250°C
2. Fogger can maintain maximum output for 30 seconds or more
3. Fogger can maintain constant output at 30% volume setting (roughly a value of 75).

Maintenance

The Ice fogger requires almost no maintenance. However, you should keep the unit clean. Disconnect the mains power supply, and then wipe the cover with a damp cloth. Do not immerse in liquid.

Do not use alcohol or solvents.

Keep connections clean. Disconnect electric power, and then wipe the connections with a damp cloth. Make sure connections are thoroughly dry before linking equipment or supplying electric power.

Do not allow the fog liquid to become contaminated. Always replace the caps on the fog liquid container and the fog machine liquid tank immediately after filling.

After every 40 hours of continuous operation, it is recommended to run a cleaning solution composed of 80% distilled water / 20% white vinegar through the system to prevent the accumulation of particulate matter in the heating element.

When cleaning, use only a clean, lint-free soft cloth. An effective cleaning regimen is as follows:

1. Empty all fluid from machine. Add cleaning solution to tank. Plug unit in and begin warm up.
2. Run unit in a well-ventilated area until tank is empty.
3. Cleaning is now complete. Refill with liquid.

Performance Notes

- All fog machines develop condensation around the output nozzle. Because this may result in some moisture accumulation on the surface below the output nozzle, consider this condensation when installing your unit.
- Fog machines may sputter small amounts of fog occasionally during operation and for a minute or so after being turned off.
- All fog machines have a recycling period after bursts of fog, when the machine will shut itself down for a short period in order to heat back up. During this time no fog can be produced. Warm-up is complete when green lamp lights up on remote unit.

Troubleshooting

Antari Ice Fogger

This troubleshooting guide is meant to help solve simple problems.

Always monitor tank fluid level as you are fogging. Running a fog machine with no fluid can permanently damage the unit.

If a problem occurs, carry out the steps below in sequence until a solution is found. Once the unit operates properly, do not carry out following steps.

If the fogger does not operate properly, refer servicing to a technician.

1. If you experience low output, mechanical pump noises other than the usual normal operating pump noise, or no output at all, unplug immediately.
2. Check fluid level, the external fuse, remote connection, and power from the wall.
3. If all of the above appears to be O.K., plug the unit in again.
4. If fog does not come out after holding the remote button down for 30 seconds, check the hose attached to the tank to make sure there is fluid going through the hose.
5. If you are unable to determine the cause of the problem, do not simply continue pushing the remote button, as this may damage the unit.
6. Return the machine to your Antari dealer.

Product Specification

Model: Antari Ice Fogger

Voltage: 230V-50Hz (CE)

Power consumption: 1040W(230V)

Fuse: F5A, 250V

Warm-up time: approx. 4 min.

Output: 230m³/min.

Tank capacity : 2,5 L

Dimensions 618x355x360mm (LxWxH)

Weight: 24,4 kg

Design and product specifications are subject to change without prior notice.

